

SOCIALIZING



CLIMBING

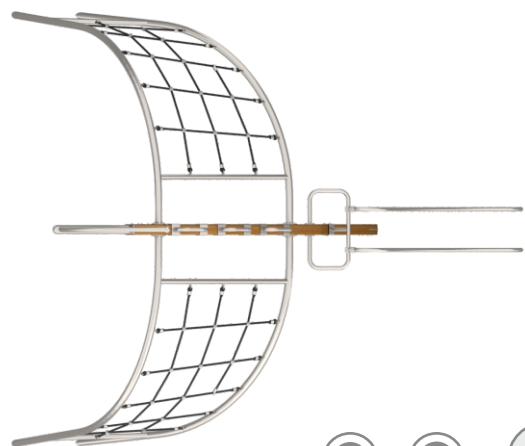


BALANCING

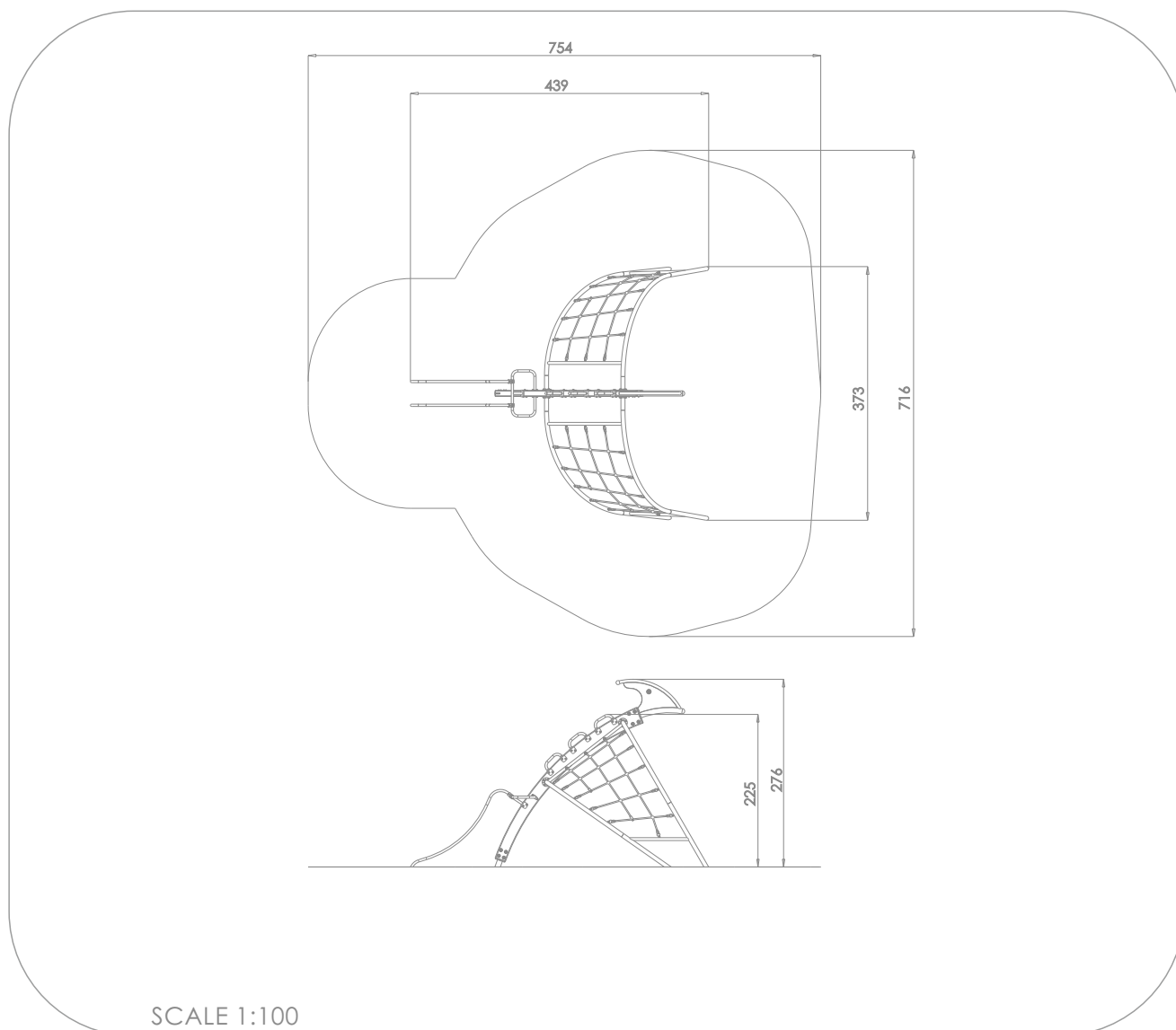
INFORMATION ABOUT THE PRODUCT

Dimensions	439 x 373 cm
Safety zone	754 x 716 cm
Safety zone area	39 m ²
Overall height	276 cm
Free fall height	225 cm
Amount of users	8
Product complies with EN 1176-1:2017-12	YES
Availability of spare parts	YES
Age range	3-12

According to EN 1176-1:2017-12 norm, the product requires applying a safety surface according to the product's free fall height.

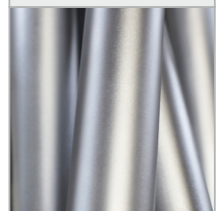



8506



SCALE 1:100

MATERIALS:

<p>SOLID CONSTRUCTION MADE OF STAINLESS STEEL AISI 304 TOTALLY RESISTANT TO WEATHER CONDITIONS.</p>	<p>BENDED POSTS MADE OF SOFT CONIFER WOOD 9 CM THICK, 26 CM WIDE AND 280 CM LONG.</p>	<p>PLATES OF THE WALLS AND PLATFORMS MADE OF COLOURFUL 13 MM HPL (BLACK PLATES MADE OF 8 MM HPL).</p>
		
<p>PLATES OF THE WALLS MADE OF COLOURFUL TRIPLE LAYERED 15 MM HDPE POLYETHYLENE, IN THE HIGHEST QUALITY.</p>	<p>POLYPROPYLENE ROPES PP-MULTISPLIT TYPE WITH A STEEL CORE AND A DIAMETER OF 16 MM.</p>	<p>SOLID AND ESTHETIC ROPE CONNECTORS MADE OF INJECTION MOLDED POLYAMIDE.</p>
